

# DURACELL<sup>®</sup> WITH

# Size: 312

## DURALOCK POWER PRESERVE™

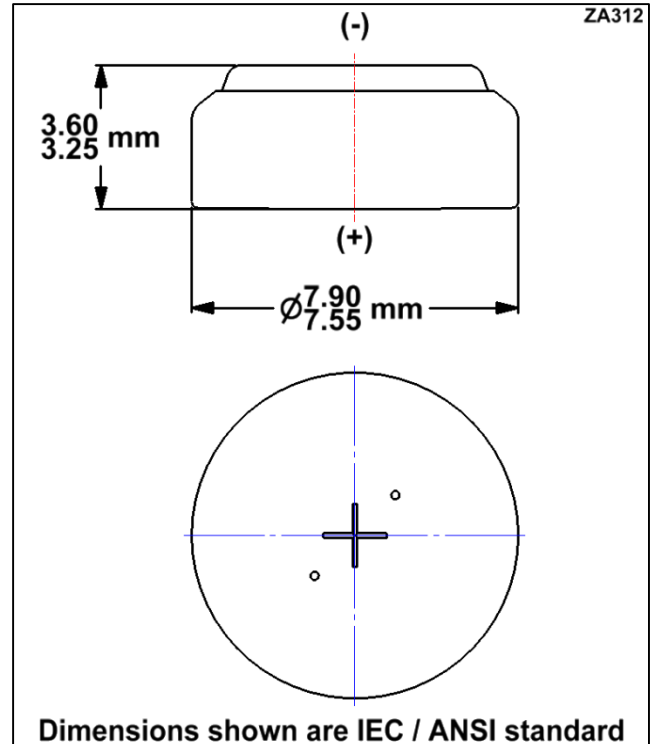


## Zinc Air Battery – 0% Mercury

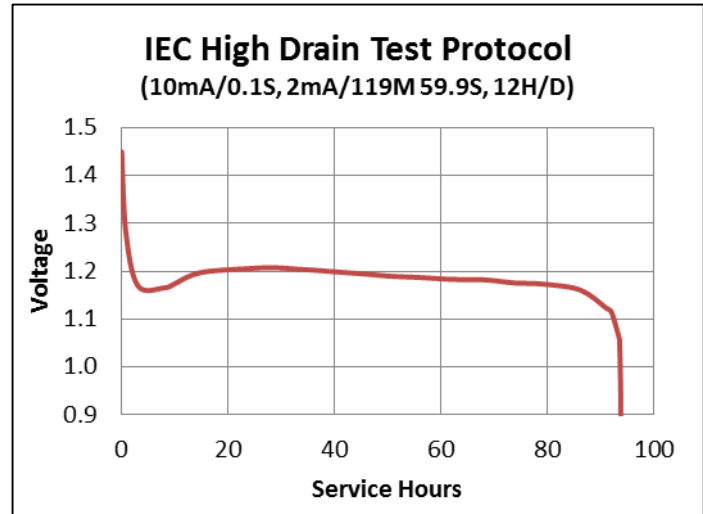
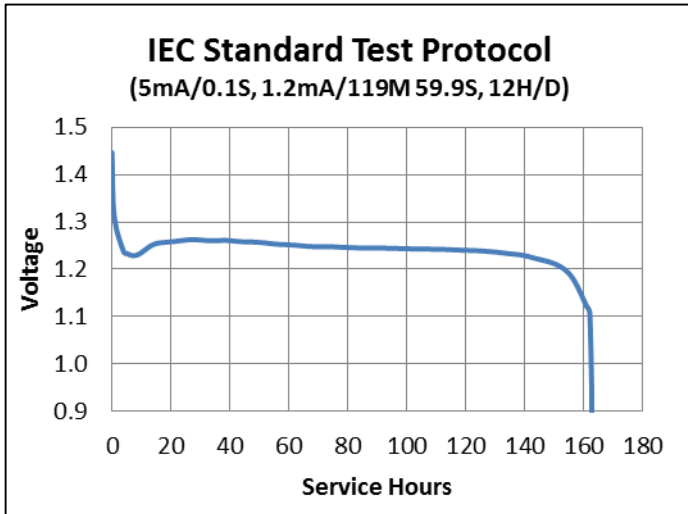
# Zn/O<sub>2</sub>



Nominal Voltage	1.45 V
Rated Capacity	190 mAh at 1500 ohm to 1.1 V @ 21°C and 50% RH
Typical Impedance (Fresh)	5.5 ohm @ 1kHz
Typical Weight	0.58 g
Volume	0.18 cm <sup>3</sup>
Terminals	Flat
Operating Temperature Range	0°C to 50°C (32°F to 122°F)
Recommended Storage Temperature	5°C to 30°C with 40-80% RH
Shelf Life	4 years unactivated @ 21°C
Designation	ANSI: 7002 ZD IEC: PR41



### Typical Discharge Characteristics at 21°C (70°F) and 50% RH



# DURACELL<sup>®</sup>

BATTERIES

Berkshire Corporate Park  
Bethel, CT 06801 U.S.A.  
Telephone: Toll-free 1-800-544-5454  
Internet: [www.duracell.com](http://www.duracell.com)

**Delivered capacity is dependent on the applied load, operating temperature and cut-off voltage. Please refer to the charts and discharge data shown for examples of the energy/service life that the battery will provide for various load conditions.**

The information (subject to change without prior notice) contained in this document is for reference only and should not be used as a basis for product guarantee or warranty. For applications other than those described here, please consult Duracell.

ZA312US4B